


SPEAKER MOUNTING BRACKET

SP-410

Please follow the instructions in this manual to obtain the optimum results from this unit.
We also recommend that you keep this manual handy for future reference.


1. SAFETY PRECAUTIONS

- Be sure to read the instructions in this section carefully before use.
- Make sure to observe the instructions in this manual as the conventions of safety symbols and messages regarded as very important precautions are included.
- We also recommend you keep this instruction manual handy for future reference.



WARNING Indicates a potentially hazardous situation which, if mishandled, could result in death or serious personal injury.

- Make sure to observe the following precautions for speaker installation. Doing otherwise may cause the speaker to fall off, resulting in personal injury.
 - Avoid installing the speaker at the place susceptible to strong wind or direct vibrations.
 - Install the speaker in locations that can structurally support the weight of the speaker and the mounting bracket.
- Do not use other methods than specified to mount the bracket. Extreme force is applied to the unit and the unit could fall off, possibly resulting in personal injuries.
- Use nuts and bolts that are appropriate for the ceiling's or wall's structure and composition. Failure to do so may cause the speaker to fall, resulting in material damage and possible personal injury.
- Tighten each nut and bolt securely. Ensure that the bracket has no loose joints after installation to prevent accidents that could result in personal injury.



CAUTION Indicates a potentially hazardous situation which, if mishandled, could result in moderate or minor personal injury, and/or property damage.

- Do not stand or sit on, nor hang down from the unit as this may cause it to fall down or drop, resulting in personal injury and/or property damage.
- Have the unit periodically checked by the shop from where it was purchased. Failure to do so could result in the speaker falling off due to damage or corrosion to the speaker or its mounts, and possible personal injury.

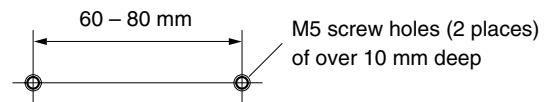
2. GENERAL DESCRIPTION

TOA's SP-410 Speaker Mounting Bracket is designed to mount TOA's BS-1030 Series or other box speakers on a wall or ceiling. It can be directly attached to a double-gang electrical box.

3. APPLICABLE SPEAKERS

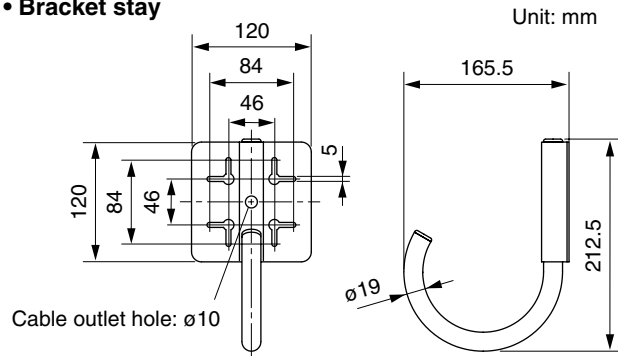
The SP-410 can be used for the speakers which

- (1) Are lighter than 4 kg in weight, and
- (2) Permit mounting of the bracket base with the following mounting dimensions:

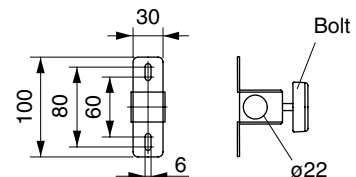


4. BRACKET COMPOSITION AND DIMENSIONAL DIAGRAM

• Bracket stay



• Bracket base



• Accessory screws

For Bracket Base mounting

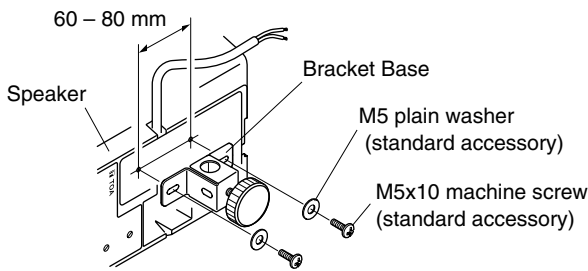
- M5x10 machine screw 2
- M5 plain washer 2
- M4x12 machine screw 2

For Bracket Stay mounting

- 4x16 tapping screw (for plywood) 4
- M4x35 machine screw (for electrical box) 4

5. SPEAKER MOUNTING

Step 1. Attach the Bracket Base to the speaker.



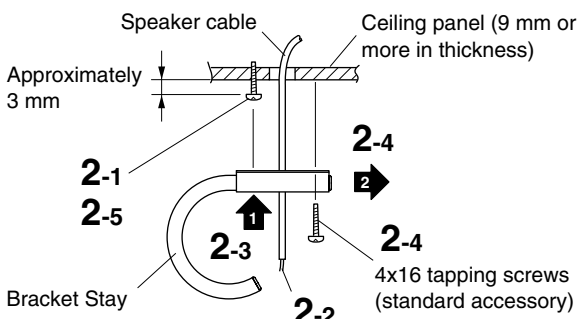
Step 2. Mount the Bracket Stay to the wall or ceiling.

- The Stay can be mounted to the wall or ceiling either directly or by using an electrical box.
- Two different types of screws are supplied to mount the Stay.
 - (1) 4x16 tapping screw (4 pieces)
Use this screw for mounting to the plywood board with thickness of over 9 mm.
 - (2) M4x35 tapping screw (4 pieces)
Use this screw for mounting to the electrical box.

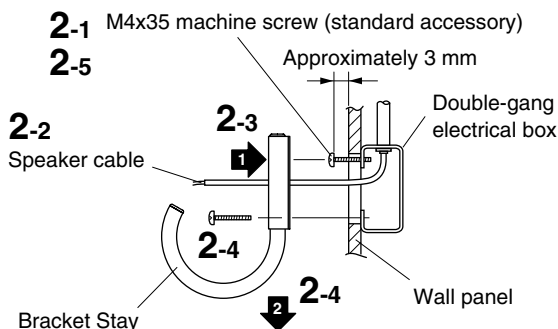
⚠ WARNING Do not mount the Bracket Stay directly to the plaster board using tapping screws. The screws could slip from the board and the speaker could fall off, resulting in personal injury.

[Direct Stay mounting to the wall or ceiling panel]

In the following example, the distance between two mounting holes in the Stay is 46 mm.

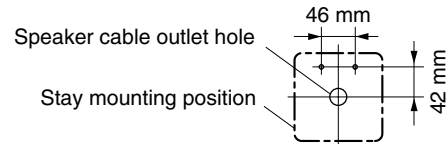


[Stay mounting by means of an electrical box]



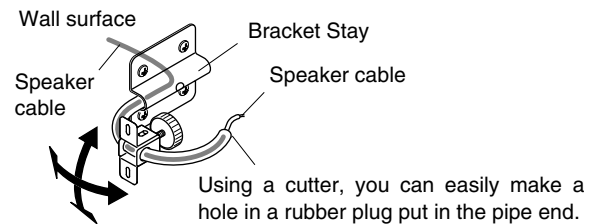
Step 2-1. Temporarily install two of the supplied screws 46 mm apart, and leave them sticking out approximately 3 mm from the wall or ceiling surface.

The following figure shows the relationship of the speaker cable outlet hole to the Stay mounting position.



Step 2-2. Pass the speaker cable through the cable outlet hole in the Stay.

If the cable is thin, it can be routed in the Stay pipe as shown below.



Tip: Mounting the Stay to the wall as shown above permits the speaker to be freely mounted in any direction indicated by the arrows.

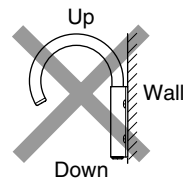
Step 2-3. Insert the Stay mounting holes onto the head of screws temporarily installed in Step 2-1 (Arrow 1).

Step 2-4. Slide the Stay in the direction of Arrow 2, and mount by means of the remaining two supplied screws.

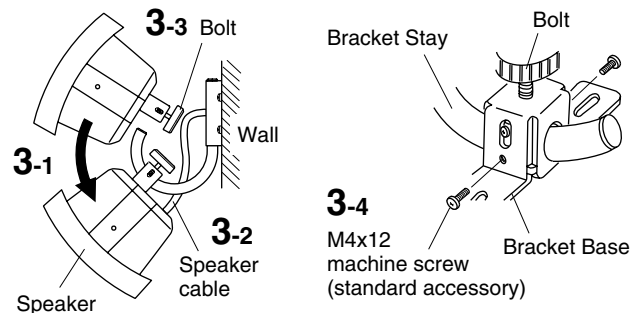
Step 2-5. Tighten the two screws temporarily installed in Step 2-1.

⚠ WARNING

Do not install the Bracket Stay as shown in the figure on the right, as the speaker could fall off, resulting in personal injury.



Step 3. Mount the speaker with the Base attached in Step 1 to the Stay.



Step 3-1. Pass the Base through the Stay pipe, and temporarily fix the speaker with the bolt.

Step 3-2. Connect the speaker cable to the speaker.

Note: Put the excess length of cable back in the ceiling or wall after connection completion.

Step 3-3. Loosen the bolt used to temporarily fix the speaker, and retighten it after determining the speaker position.

Step 3-4. Secure the Base to the Stay pipe using the supplied two screws.